

PYD Life

PYD Life
Print your design, color your life

CE

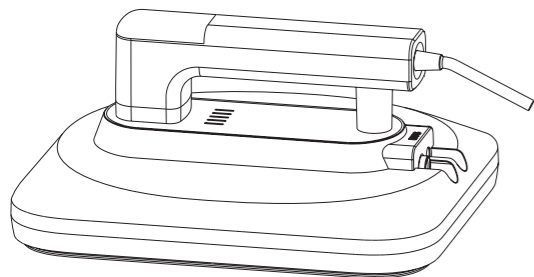
Craft Heat Press



USER MANUAL

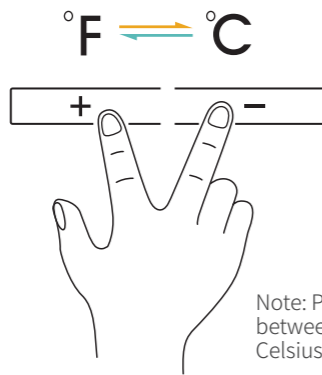
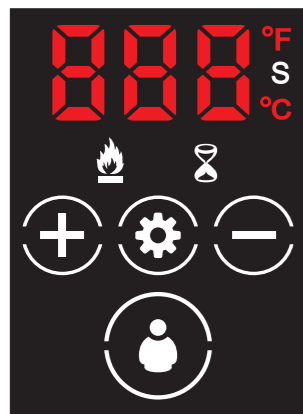
PLHPC01

CRAFT HEAT PRESS

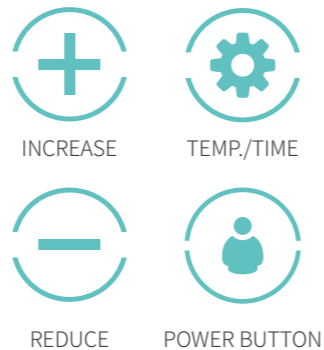


Product Name	Portable Heat Press Machine	Rated Voltage	220V	110V
Item No.	PLHPC01	Rated Frequency	50-60Hz	
Max. Temperature	200°C / 392 °F	Rated Power	1000w	800w
Max. Time	999 S	Cable Length	2M	

FUNCTION & INSTRUCTION



Note: Press(+/-) to switch between Fahrenheit and Celsius



Long press for 5 seconds

POWER BUTTON

1. Long press for 5 seconds to turn on the machine;
2. Long press for another 5 seconds to turn off the machine;
3. Click once to start countdown;
4. Click again to stop the machine.

5 seconds

REDUCE

1. Long press for 5 seconds to set the automatic shutdown time.

click once 5 seconds

SETUP

1. Click once to set temperature and click again, to set time;
2. Long press for 5 seconds to correct the temperature difference in the ± 30°C range.

VIBRATION PUMP SETTINGS

1. Press the power button to enter countdown, then press the plus or minus button to adjust the vibration pressure.

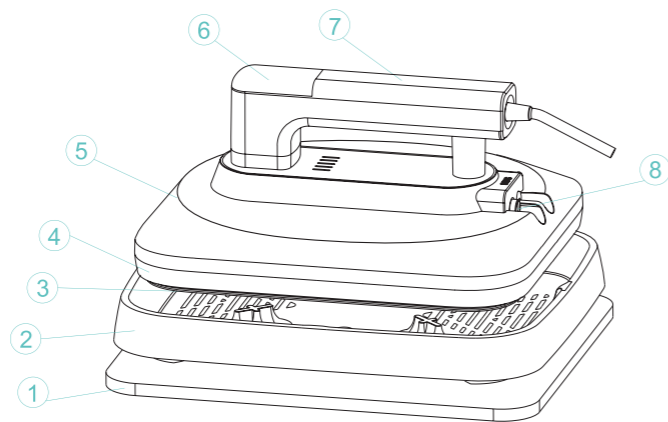
TEMPERATURE CONVERSION

°F ↔ °C

Click to switch between Fahrenheit and Celsius.

STRUCTURE

1. Silicone Mat
2. Tray
3. Heat Platen
4. Middle Cover
5. Top Cover
6. Touchpad
7. Handle
8. Aviation Connector



PRINTING PARAMETER

FUNCTION	1	The machine comes with two motors, one is for working while the other is a spare motor. Both the motors work in the same three vibration modes, and “1-1” , 1-2” , and “1-3” on the screen indicate each vibration frequency of motor 1, while “2-1” , 2-2” , and “2-3” are for motor 2.
	2	The frequency of 1-3 or 2-3 is perfect for printing flat items.
	3	Long press on power button for 3 seconds to turn on or turn off the machine.
	4	Press power button to start or stop counting down, or stop the machine from beeping after printing.
	5	Press "+" and "-" buttons in countdown mode to set the vibration frequency.
	6	Press "Set", "+", and "-" buttons to adjust temperature and time.
	7	Press "+" and "-" simultaneously to switch between °C and °F .

No.	Item	Temp.	Time	Vibration Frequency	Note
1	Polyester Clothes	200°C	60S	1-3 or 2-3	1. Print on sublimation paper, mirror the image; 2. Make sure that buttons and zippers don't touch the heat platen; 3. Fix the image with thermal tape.
2	Ceramic Coaster	180°C	150S	1-3 or 2-3	1. Print on sublimation paper, mirror the image; 2. Fix the image with thermal tape.
3	Hardboard Coaster	180°C	120S	1-3 or 2-3	1. Print on sublimation paper, mirror the image; 2. Peel off the top film; 3. Fix the image with thermal tape.
4	Phone Cover Alu Insert	180°C	80S	1-3 or 2-3	1. Print on sublimation paper, mirror the image; 2. Peel off the top film; 3. Fix the image with thermal tape.
5	Sequin Adhesive	180°C	120S	1-0 or 2-0 (No Vibration)	1. Print on the sublimation paper, mirror image; 2. Flip the sequins with white side facing up, and peel off the back film; 3. Place the adhesive on the t-shirt, cover it with image, fix the image with thermal tape, and print; 4. Flip the sequins immediately after printing.

GUARANTEE

Our products strictly made complying with the Consumer Protection Law of the People’s Republic of China and the Product Quality Law of the People’s Republic of China. And we can provide the following service:

Within 12 months, if the product has a performance failure (included in the “Product Performance Failure Table”), it can be repaired free of charge after confirmation by BestSub. If the machine is damaged due to force majeure or man-made causes, we are not responsible for the repair, please repair it yourself.

SAFETY INSTRUCTION

Please read carefully and do as it tells.

Notice

- ▲ Unplug the machine when moving it;
- ▲ Unplug the machine when installing accessories;
- ▲ Place the machine on a flat and stable table and use it in a ventilated room;
- ▲ Wear heat-resistant gloves when using the machine

WARNING

Please read carefully and do as it tells.

- ⊗ Do not use the machine in high-temperature places ;
- ⊗ Do not use the machine when it cannot work;
- ⊗ Do not allow children or adults who don’t understand this manual to use the machine;
- ⊗ Do not disassemble or repair this machine;
- ⊗ Do not use inappropriate AC power outlets;
- ⊗ When the machine is heating up , do not touch the heat platen.

WARRANTY

Product Performance Failure Table

Machine body	The machine itself (main parts are not included)	One year	Fault 1	The machine cannot be used normally according to the instructions
Main parts	Motherboard	One year	Fault 2	Heat platen can’t heat up
	Heat platen	One year	Fault 3	Display error
	Vibration pump	Silicone mat don’t come with warranty		

Circuit Board Wiring

ELECTRICAL SCHEMATIC DIAGRAM

